

Model: JSMA-PIH75AAK

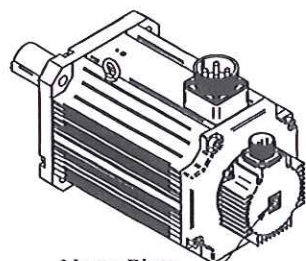
| No. | Item | Symbol | Unit | Specification | No. | Item | Symbol | Unit | Specification |
|-----|-----------------|--------|--------|-------------------------|-----|----------------------|--------|--------------------|-------------------------------|
| 1 | Drive | - | - | 3 ϕ 220VAC | 13 | Rotor Inertia | J-M | kg-cm ² | 108.4 \pm 10% |
| 2 | Cooling Method | - | - | Totally Enclosed | 14 | Rated Power Rate | Q-R | Kw/s | 210.78 |
| 3 | Exciting Method | - | - | Permanent Magnet | 15 | Resistance | Ra | Ω | 0.1 \pm 10%/2 ϕ |
| 4 | Resolution | - | - | 17 bit ABS | 16 | Inductance | L | mH | 2.5 \pm 10%/2 ϕ |
| 5 | Rated Output | P-R | KW | 7.5 | 17 | Mech. Time Constant | Tm | ms | 0.96 \pm 10% |
| 6 | Rated Torque | T-R | N-m | 47.8 | 18 | Elect. Time Constant | Te | ms | 25 \pm 10% |
| 7 | Max. Torque | T-max | N-m | 122.6 | 19 | Insulation Class | - | - | Class F |
| 8 | Rated Speed | N-R | rpm | 1500 | 20 | Operation Temp. | T | $^{\circ}$ C | 0~40 |
| 9 | Rated Current | I-R | A | 38.6 | 21 | Operation Humd. | RH | % | <80 |
| 10 | Max. Current | I-max | A | 99.1 | 22 | Storage Temp. | T | $^{\circ}$ C | -20 $^{\circ}$ ~60 $^{\circ}$ |
| 11 | Torque Constant | Kt | N-m/A | 1.24 \pm 10% | 23 | Storage Humd. | RH | % | <80 |
| 12 | Ke constant | Ke | V/Krpm | 82.3 \pm 10%/2 ϕ | 24 | Weight | W | kgw | 34.8 |

| Pin | Signal |
|-----|--------|
| B | +5V |
| I | 0V |
| A | VB+ |
| C | VB- |
| H | SD+ |
| D | SD- |
| G | |
| E | |
| F | FG |

Encoder Wiring

| PIN | Signal |
|-----|--------|
| A | U |
| B | V |
| C | W |
| D | FG |

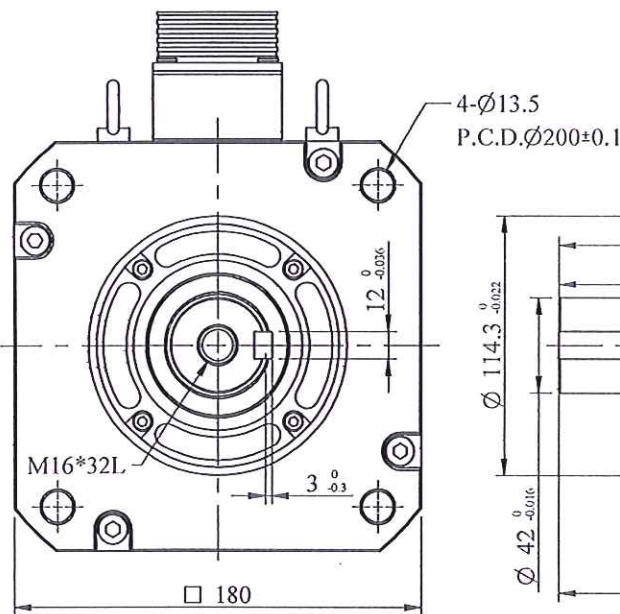
Motor Wiring



Name Plate for Notice

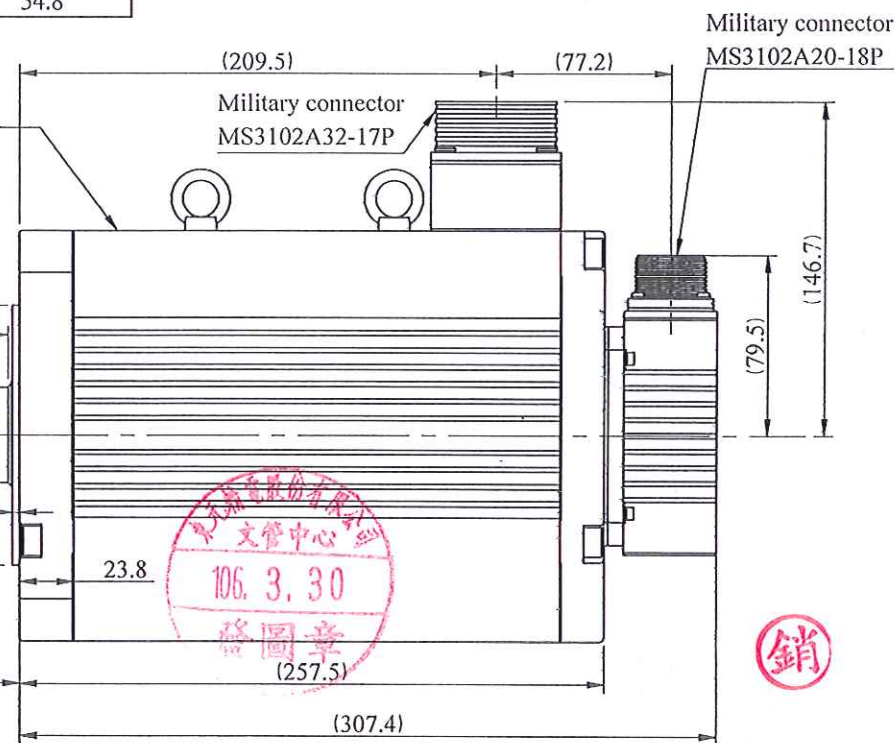
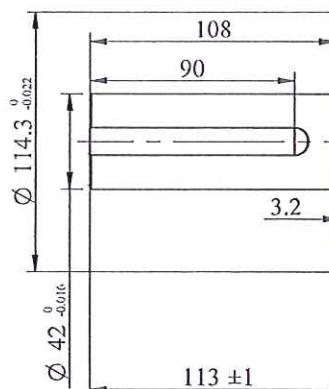


Name Plate for Notice



Name Plate for Spec

4- ϕ 13.5
P.C.D. ϕ 200 \pm 0.1



Note:

1. Motor to be IP67. (excluding the shaft opening & connectors)
2. The detail of Name plate for Spec. refers to the file DC-JXE-002.

| STANDARD TOLERANCE | | APVD | | SCALE | UNIT | NAME | Servo Motor Outline Drawing | |
|--------------------|------------|------|-------------|-----------|------|----------|-----------------------------|-------------------|
| X | \pm 0.5 | | | 3/10 | m m | | JSMA-PIH75AAK | |
| .X | \pm 0.2 | CHKD | Michelle | 3RD A.P | | TITLE | | |
| .XX | \pm 0.05 | CHKD | | | | | | |
| ANGLE | \pm 30' | DWN | Chase | | | | | |
| MATERIAL | | REV | DESCRIPTION | SIGNATURE | DATE | DWG. NO. | | D01B18752H3N3AD01 |



Dept. Design